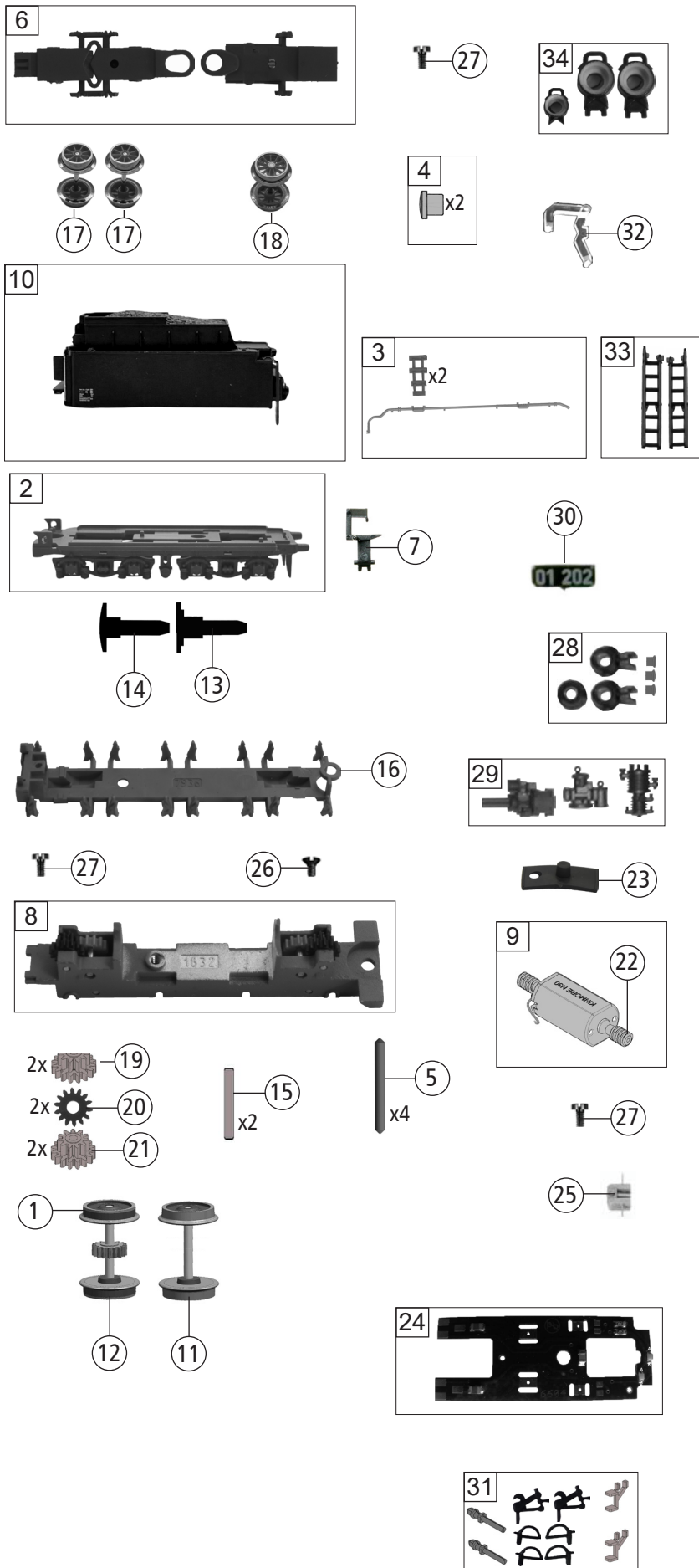


Pos. Nr. Pos.no.	Beschreibung Description	Art.-Nr. Art.no.	Preisgruppe Price bracket
1	KESSEL KPL. BETR. NR. 01 202 Boiler compl. Loco no 01 202	10714504	32
2	UMLAUFBLECH Running board	45714504	26
3	TS - LINSE Part set - lens	00137394	4
4	LICHTLEITER OBEN+UNTEN Light conductor upper+lower	13714505	7
5	WINDLEITBLECH LI.+RE. Wind deflector L+R	17714409	8
6	ACHSE Axle	00527007	1
7	LOKFAHRGESTELL M. RÄDERN Loco chassis with wheels	31714504	28
8	TS-KUPPELSTANGEN Part set-Coupling rods	32714504	18
9	DECKPLATTE OBEN+UNTEN Cover plate upper+lower	43714505	11
10	FENSTER FÜHRERHAUS LI.+RE. Cabine windows L+R	14714401	5
11	TREIBRAD LI. Driving wheel L	517145041	7
12	TREIBRAD RE. Driving R	517145042	7
13	KUPPELRAD Coupled wheel	517145043	7
14	SCHRAUBE M 1,6x5 mm Screw	110008	3
15	BLECHSCHRAUBE M.KREUZSCHLITZ Tapping screw	00713309	1
16	BOLZEN F. KUPPELSTANGE Bolt for coupling rod	00730562	2
17	PUFFER FLACH Buffer flat	00757012	2
18	PUFFER GEWOLBT Buffer vaulted	00757011	2
19	STEUERUNG KPL. Reversing gear complete	42714504	32
20	LOKPLATINE KPL. Loco PCB compl.	65714505	21
21	BRÜCKENSTECKER NEXT18 Jumper	149978	17
22	TS-KESSEL Part set-Boiler	81714505	10
23	TS-SANDKASTENDECKEL, LSP.-AUFN. Part set-Sandbox cover, loudsp. reception	19714575	9
24	DEICHSEL Draw bar	38714505	6
25	ZUGFEDER D=2 L=2,5/6 mm W=25 Draw spring	109832	3
26	LOKLAMPE M LINSE Loc. lamp	197144022	6
27	TS-SCHIENENRAUMER Part set-Railguard	22714505	12
28	TS - ZUGHAKEN Part set - coupling hooks	19714401	14
29	LINSENSCHRAUBE M1,6x2/4,8MM Button screw	00704902	2
30	SK-SCHRAUBE M 1,6x3 mm SK-Screw	125023	3
31	TS - TREPPEN, Part set - Steps,	146786	8
32	HANDRAD Hand wheel	19714402	3
33	TS-KESSEL -kupferbraun Part set-Boiler	81714504	10
<b>Sound</b>			
34	TRIEBVERKSBELEUCHTUNG Engine illumination	65714575	14
35	LAÜTSPRECHER Loudspeaker	68702500	16
36	SOUNDDECODER Sound decoder	68159018	39

Änderungen in Konstruktion und Ausführung vorbehalten  
We reserve the right to change the construction and specification



Pos. Nr. Pos.no.	Beschreibung Description	Art.-Nr. Art.no.	Preisgruppe Price bracket
714504	CH/Einst. BR 01	=	N
714574		=	N
1	HAFTREIFEN D=5,5 B=1,3 mm Traction tyre	00547001	1
2	TENDERRAHMEN Tender framework	21714504	12
3	TS-LEITERN,... Part set-Ladders,...	22714402	8
4	TS - LINSE Part set - Lens	00137394	4
5	ACHSE Axle	00527009	1
6	VOR+NACHLAUFGESTELL Front+rear carrying wheels	37714505	9
7	KUPPLUNG N-SPUR Coupling	98189	6
8	TENDERFAHRGESTELL M. ZAHNRÄDER Tender chassis with gear wheels	41714401	19
9	MOTOR M. SCHNECKE Motor w. wormgear	50714505	23
10	TENDERGEHÄUSE KPL. Tender body complete	20714504	30
11	RADSATZ O.Z. Wheelset w/o gear wheel	53718500	10
12	RADSATZ M.Z.M.N. Wheelset w. gear wheel w. groove	53718400	11
13	PUFFER FLACH Buffer flat	00757011	3
14	PUFFER GEWÖLBT Buffer vaulted	00757012	3
15	ZAHNRADACHSE D=1,5 L=5,7 mm Axle for gearwheel	144134	4
16	TENDER DECKPLATTE UNTEN Tender lower cover plate	43714401	4
17	VORLAUFRADESATZ Carrying wheelset compl.	517145044	11
18	NACHLAUFRADESATZ Carrying wheelset (rear)	517145045	12
19	ZAHNRAD Z=9/14 Gearwheel	00567145	6
20	ZAHNRAD Z=14 Gearwheel	86496	3
21	ZAHNRAD Z=11/16 Gearwheel	56720100	4
22	SCHNECKE Worm gear	56762510	6
23	MOTORHALTER Motor holder	50792400	3
24	LEITERPLATTE KPL. (TENDER) PCB complete	65724700	17
25	ADAPTER Adaptor	00387009	5
26	GF-SCHRAUBE GF - screw	115269	3
27	SK-SCHRAUBE M 1,6x3 mm SK-Screw	125023	3
28	TS-REFLEXLAMPE MIT LINSE Part set-Reflex lamp with lenses	197144013	10
29	TS-WASSER+LUFTPUMPE Part set-Water+air pump	197160007	9
30	NUMMERTAFEL Number plate	18714504	8
31	ZURÜSTBEUTEL Bag of accesories	19714505	15
32	LICHTLEITER TENDER Light conductor for tender	23714401	4
33	TS-LEITERN Part set-Ladders	22714401	6
34	TS - REICHSBAHN Lampen Part set - REICHSBAHN lamps	197144023	17