

43575

H0 Bahnhof Willingen

H0 Station Willingen

(DE)

Bitte bauen Sie das Modell gemäß den einzelnen Montageschritten zusammen.

(EN)

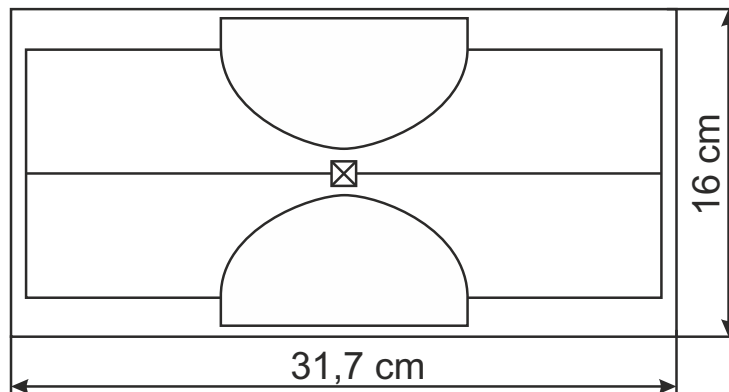
Please assemble the model according to the individual assembly steps.

1. Inhalt 1
2. Montage 2

1. Contents 1
2. Mounting 2

1. Inhalt / Contents

| Spritzlingsnummer <i>Sprue No.</i> | Teile-Nr. <i>Part No.</i> | Stück <i>Pieces</i> | Spritzlingsnummer <i>Sprue No.</i> | Teile-Nr. <i>Part No.</i> | Stück <i>Pieces</i> | Spritzlingsnummer <i>Sprue No.</i> | Teile-Nr. <i>Part No.</i> | Stück <i>Pieces</i> |
|---------------------------------------|------------------------------|------------------------|---------------------------------------|------------------------------|------------------------|---------------------------------------|------------------------------|------------------------|
| 5538 | 1 | 9 | 5541 | 1 | 9 | 5542 | 1 | 1 |
| 5538 | 2 | 2 | 5541 | 2 | 1 | | | |
| 5538 | 3 | 2 | 5541 | 3 | 1 | 5543 | 1 | 1 |
| 5538 | 4 | 2 | 5541 | 4 | 2 | 5543 | 2 | 1 |
| 5538 | 5 | 1 | 5541 | 5 | 1 | 5543 | 3 | 1 |
| 5538 | 6 | 1 | 5541 | 6 | 1 | 5543 | 4 | 1 |
| 5538 | 7 | 1 | 5541 | 7 | 1 | 5543 | 5 | 1 |
| 5538 | 8 | 2 | 5541 | 8 | 1 | 5543 | 6 | 1 |
| 5538 | 9 | 2 | 5541 | 9 | 1 | 5543 | 7 | 1 |
| | | | 5541 | 10 | 1 | 5543 | 8 | 1 |
| 5539 | 1 | 2 | 5541 | 11 | 1 | 5543 | 9 | 1 |
| 5539 | 2 | 2 | 5541 | 12 | 1 | | | |
| | | | 5541 | 13 | 1 | 5544 | 1 | 9 |
| 5540 | 1 | 2 | 5541 | 14 | 1 | 5544 | 2 | 2 |
| 5540 | 2 | 1 | 5541 | 15 | 1 | 5544 | 3 | 4 |
| 5540 | 3 | 1 | 5541 | 16 | 1 | 5544 | 4 | 6 |
| 5540 | 4 | 4 | 5541 | 17 | 1 | 5544 | 5 | 1 |
| 5540 | 5 | 2 | 5541 | 18 | 1 | | | |
| 5540 | 6 | 2 | | | | | | |



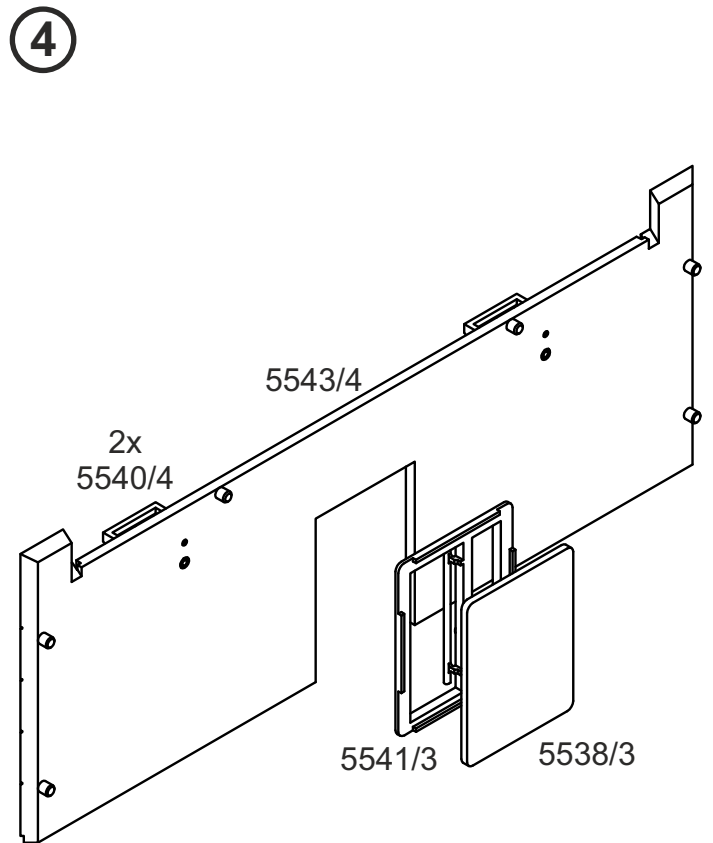
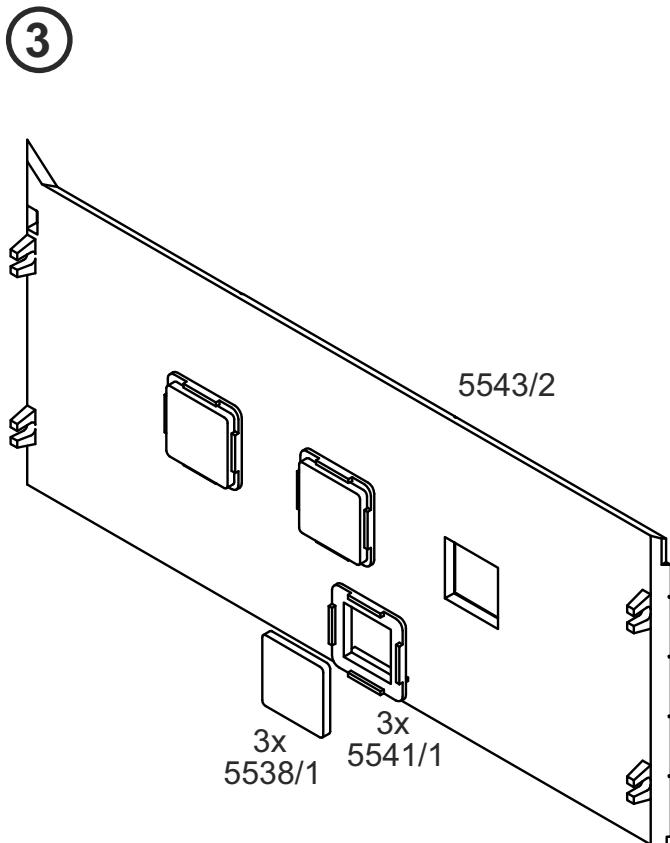
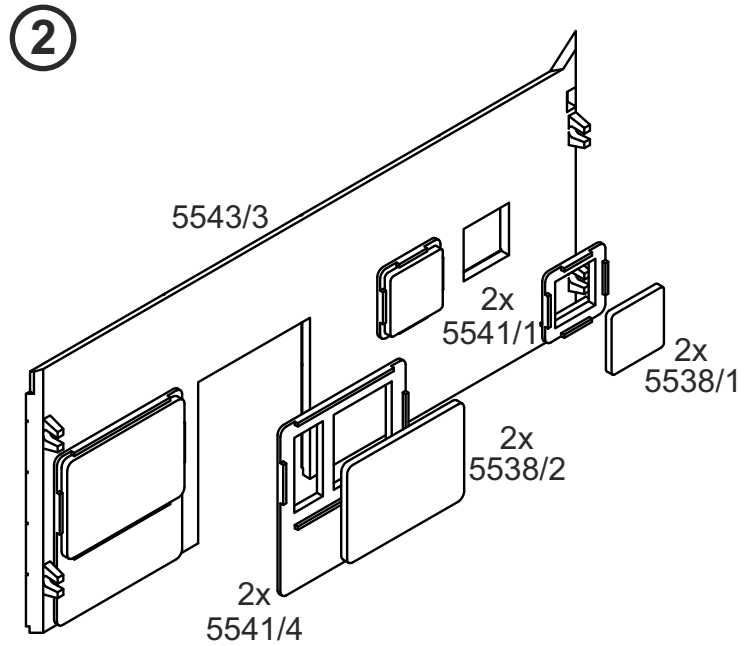
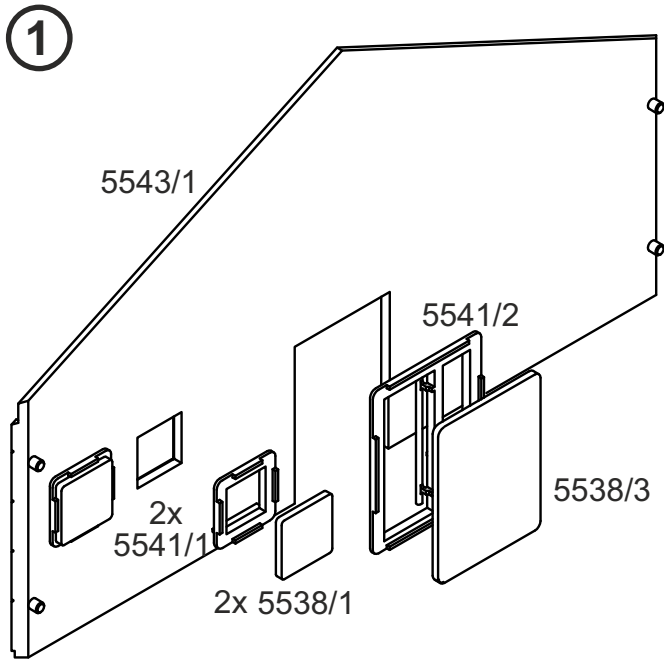
(DE)

Dieser Bausatz besteht aus dem recyclefähigen Kunststoff Polystyrol.

(EN)

This kit consists of recyclable polystyrene.

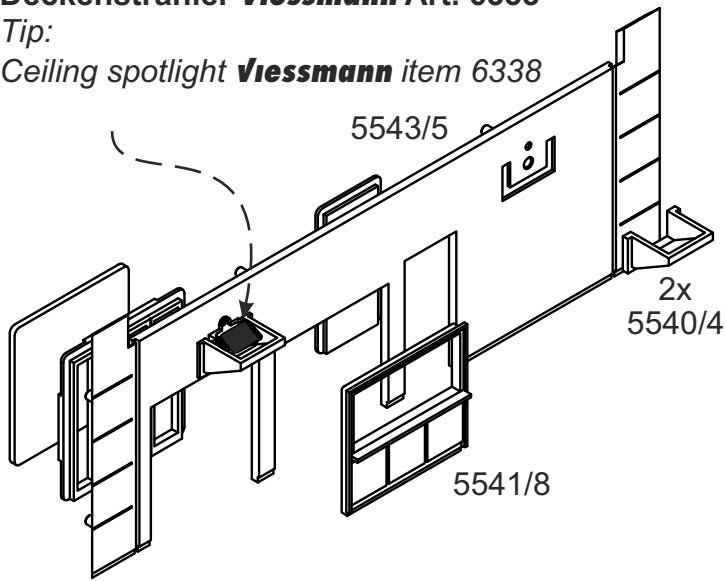
2. Montage / Mounting



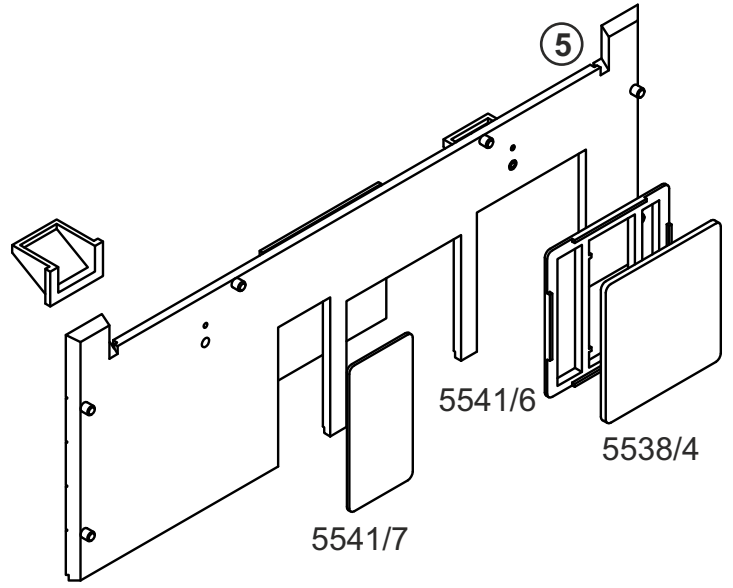
5

Tipp:
Deckenstrahler **viessmann** Art. 6338

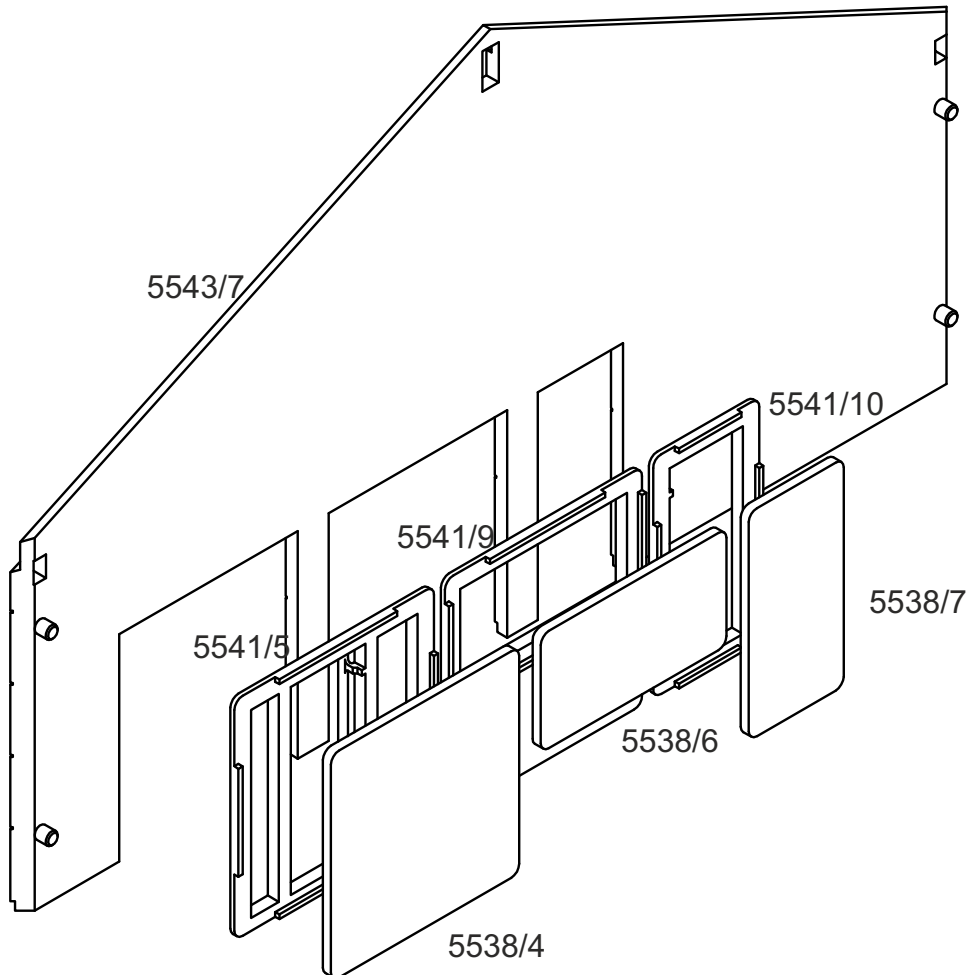
Tip:
Ceiling spotlight **viessmann** item 6338



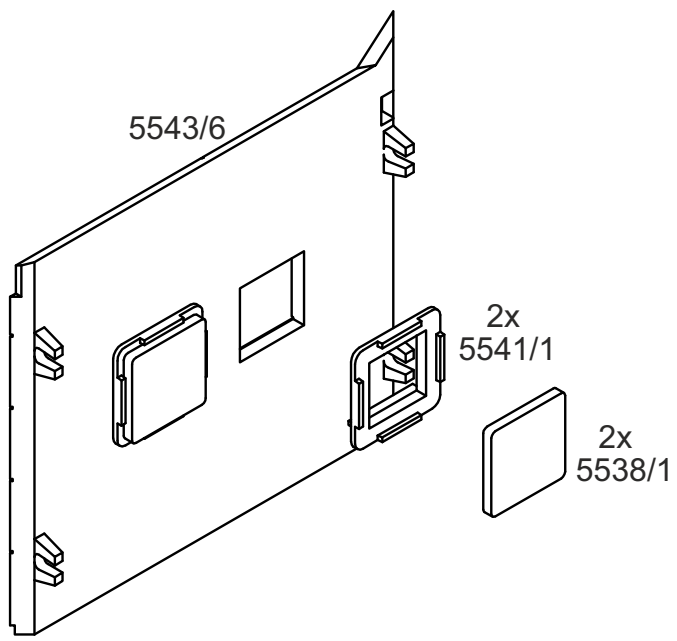
6



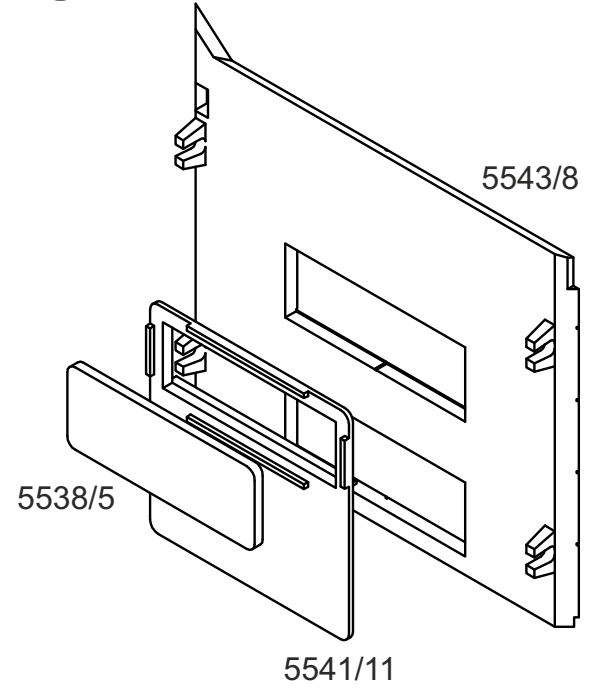
7



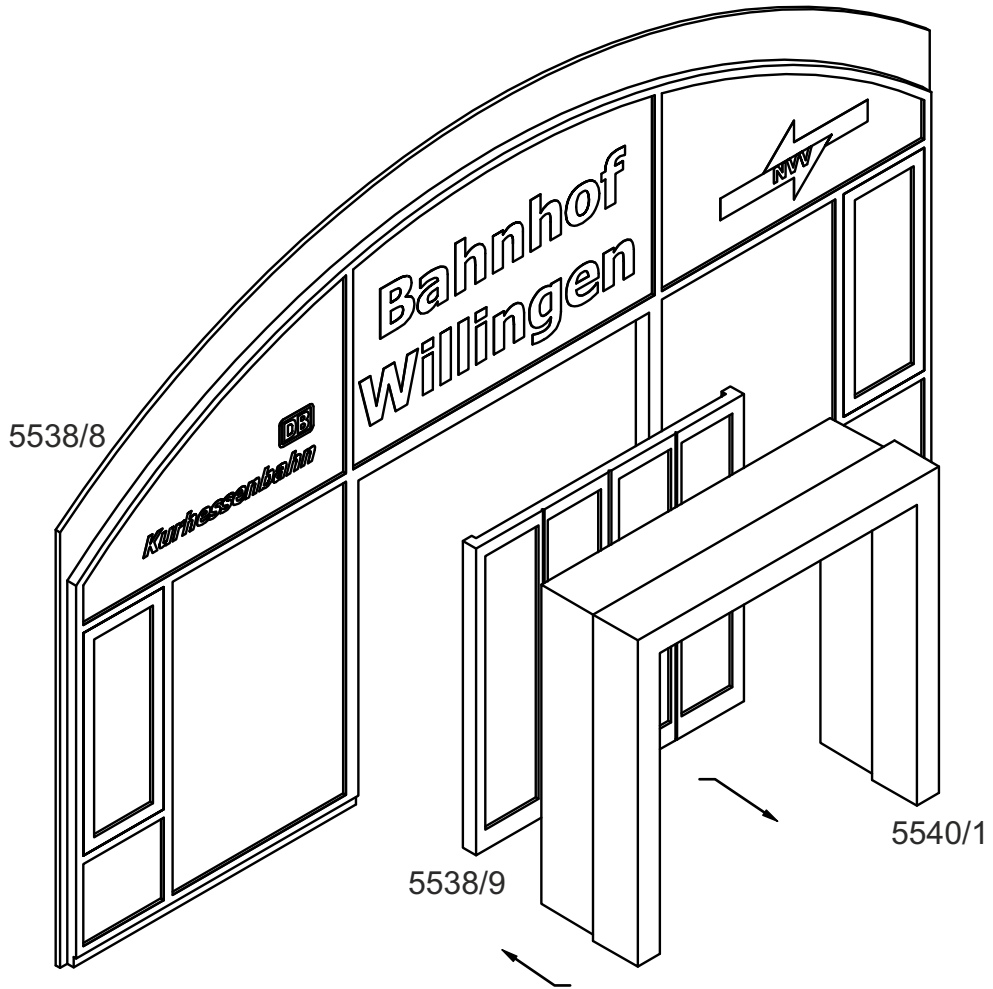
8



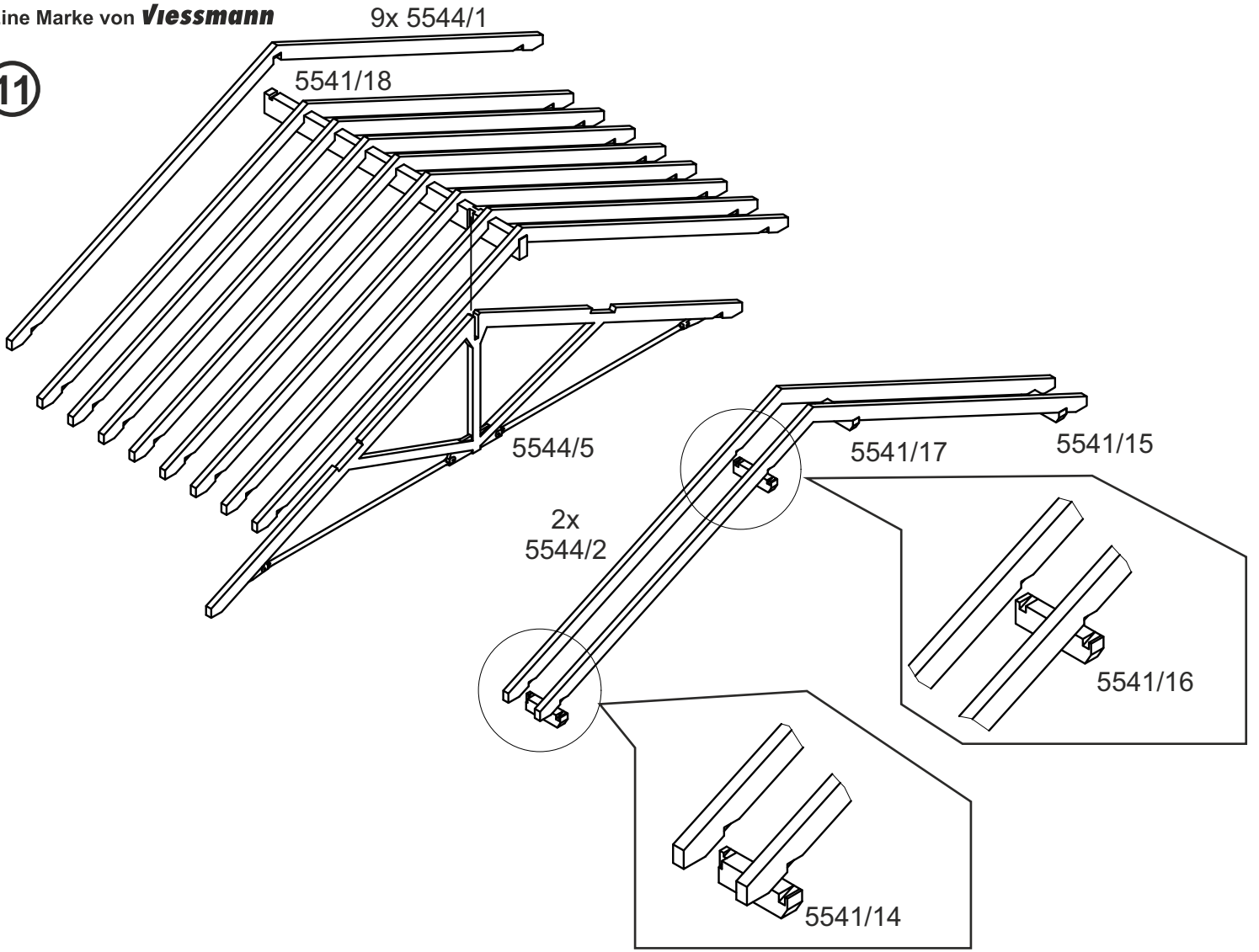
9



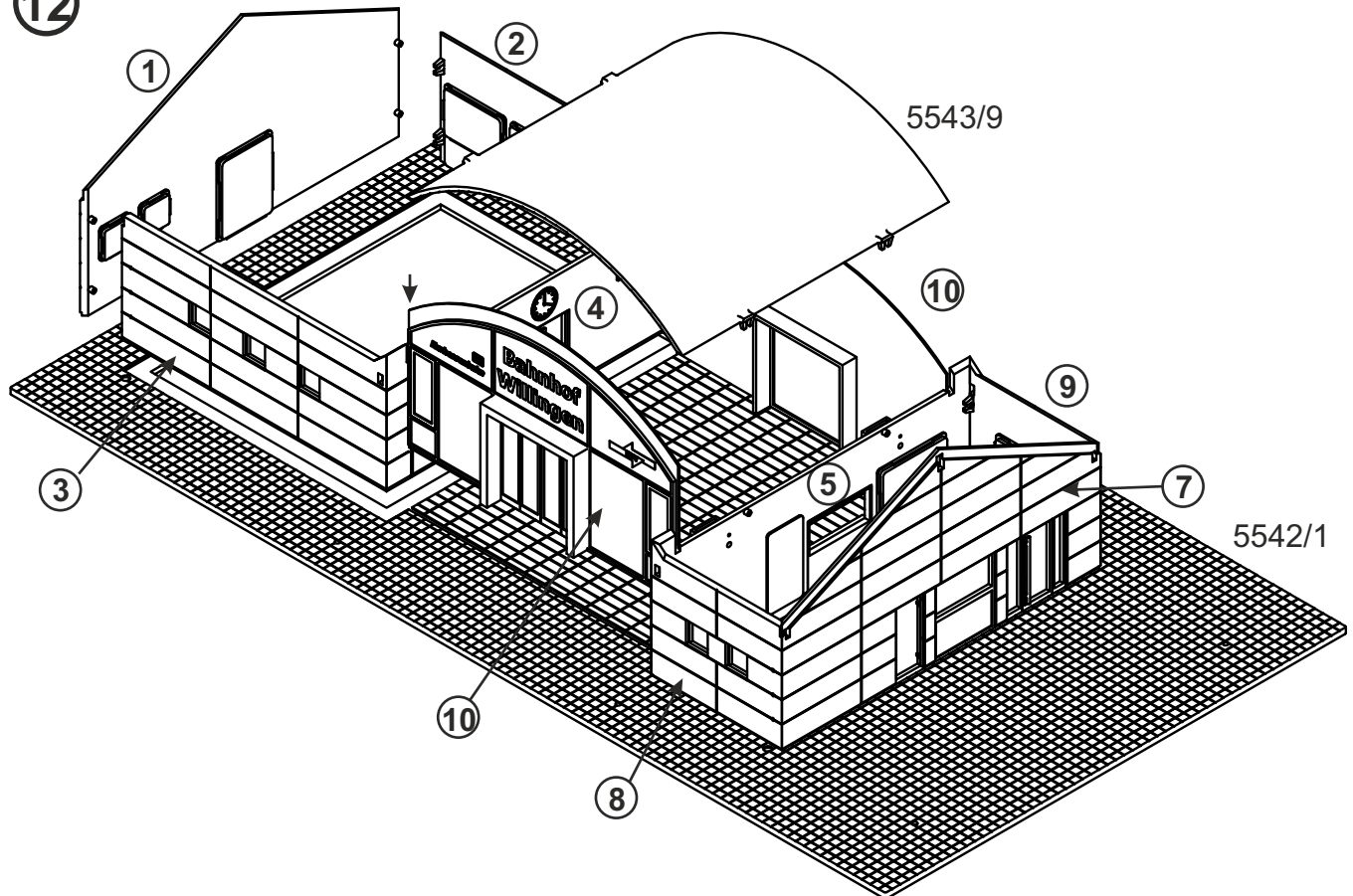
10 2x



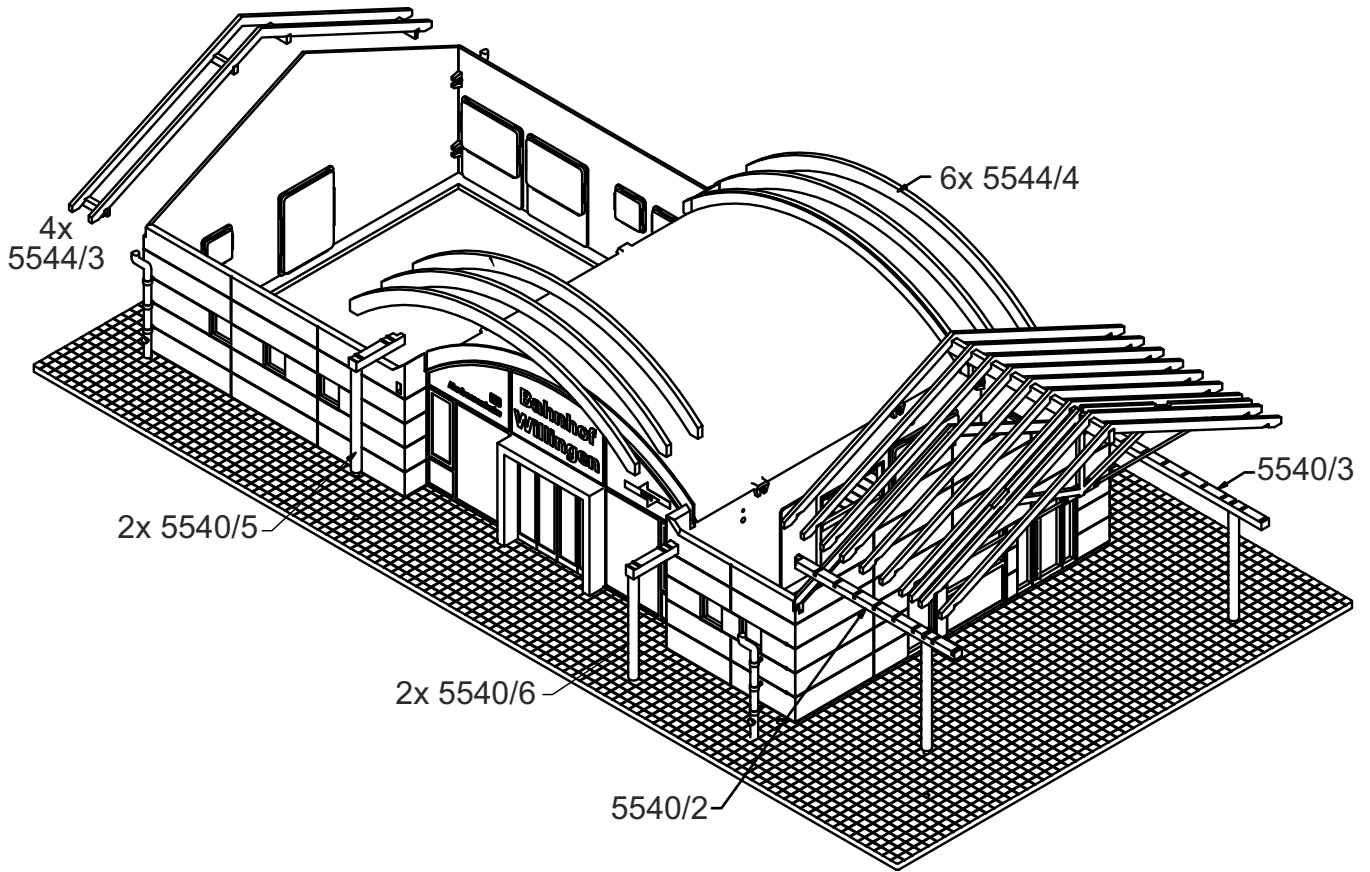
11



12



13



14

