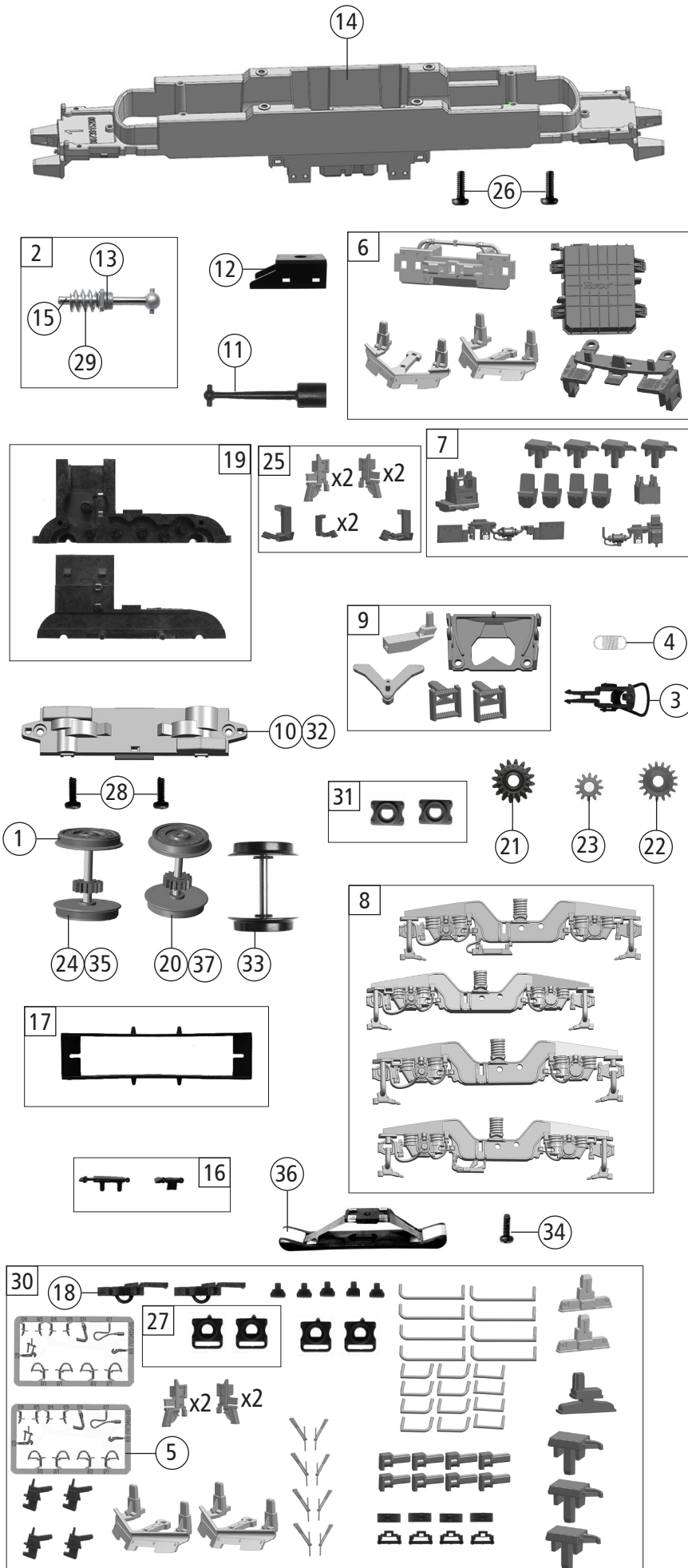


| Pos. Nr. Pos.no. | Beschreibung Description | Art.-Nr. Art.no. | Preisgruppe Price bracket |
|---------------------|---|---------------------|------------------------------|
| 1 | Gehäuse kpl. Betr.Nr. 193 701-0 Body ass. compl. Loco nr. 193 701-0 | 148987 | 38 |
| 2 | Antenne Antenna | 141152 | 3 |
| 3 | Dachbaugruppe kpl. Roof assy complete | 141146 | 35 |
| 4 | Stromabnehmer Typ 8 Pantograph | 85488 | 23 |
| 5 | Stromabnehmer Pantograph | 85401 | 23 |
| 6 | Führerstand und Himmel Driver's cab and ceiling | 141640 | 8 |
| 7 | TS-Dachgitter Part set roof grid | 141150 | 10 |
| 8 | TS-Stirn + Seitenfenster Part set front + side window | 144603 | 9 |
| 9 | TS-Abdeckungen Part set covers | 141137 | 4 |
| 10 | TS-Lichtleiter und Scheinwerfer Part set light conductor and headlight | 141148 | 14 |
| 11 | Dachleitungen Roof wires | 141157 | 8 |
| 12 | Türgriff Door handrail | 141154 | 4 |
| 13 | TS-Wischer links und rechts,Horn Part set wiper left and right,signal horn | 141155 | 6 |
| 14 | Stromabnehmer Pantograph | 85400 | 19 |
| 15 | Stromabnehmer Typ8 Pantograph | 85491 | 23 |
| 16 | TS-Isolatoren Part set isolators | 141156 | 5 |
| 17 | Frontplatte Front plate | 148988 | 8 |
| 18 | Puffer eckig Rectangular buffer | 122789 | 3 |
| 19 | TS-Lautsprecherbox und Platten Part set loudspeaker box and plates | 141139 | 5 |
| 20 | GF-Schraube M2x5 mm Self-tapping screw | 114966 | 3 |
| 21 | Platine kpl.m.LED-Platine PCB complete with LED-PCB | 145555 | 28 |
| 22 | Brückenstecker Plux16 Jumper | 129630 | 10 |
| 23 | Motor m.2Schwungm. und Kardanschale KM Motor with 2 flywheels and cardan reception | 145556 | 18 |
| 24 | Kardanschale kurz 1,5mm Cardan reception short | 87129 | 4 |
| 25 | Distanzplatte KM Spacer plate | 145557 | 4 |
| 26 | Kontaktfeder lang Contact spring long | 145560 | 4 |
| 27 | Motordämpfer Motor silencer | 113376 | 4 |
| 28 | Kontaktfeder kurz Contact spring short | 145561 | 4 |
| 29 | Lokführer Loco driver | 110407 | 6 |
| 30 | Stromabnehmerisolatoren Pantograph isolator | 141206 | 6 |
| 31 | SK-Schraube M1,6x5 mm SK-Screw | 115317 | 4 |
| 32 | TS-LZB Antennen Part set antenna | 122803 | 6 |
| 33 | Antenne kurz Antenna short | 141151 | 3 |
| 34 | TS-Griffe Part set handles | 141238 | 6 |
| 35 | Steckdose Socket | 141163 | 3 |
| 36 | UIC-Dose UIC-socket | 141559 | 3 |
| 37 | Innenbeleuchtung Interior lighting | 141659 | 4 |
| 38 | TS-Flansch+Kabelbaum Part set-Flange+ wiring harness | 147678 | 9 |
| Sound | | | |
| 39 | Platine kpl.m.LED-Platine PCB complete with LED-PCB | 149080 | 23 |
| 40 | Lautsprecher Loudspeaker | 129524 | 13 |
| 41 | Sounddecoder Sound-decoder | 147377 | 39 |

Änderungen in Konstruktion und Ausführung vorbehalten
We reserve the right to change the construction and specification

Auflage 11/2022 Blatt 3902 Best. Nr. 8070683930
Edition 11/2022 Page 3902 Order no 8070683930



| 70683 | SBB/MRCE | VECTRON | = | |
|------------------------|---|---------|---------------------|------------------------------|
| 70684 | | | = | 🔊 |
| 78684 | | | ~ | 🔊 |
| Pos. Nr. Pos.no. | Beschreibung Description | | Art.-Nr. Art.no. | Preisgruppe Price bracket |
| 1 | Haftrings. 10Stk. 12,9-14,6 mm Traction tyre set,10 pcs.,12,9-14,6 mm | | 40070 | --- |
| 2 | Schneckensatz mit Kardankugel Set of worm gear incl.cardan ball | | 148576 | 13 |
| 3 | Standardkupplung Standard coupling | | 89246 | 6 |
| 4 | Zugfeder Draw spring | | 86208 | 3 |
| 5 | TS-Bremsschläuche und Zughaken Part set of brake tubes & coupling hooks | | 139832 | 7 |
| 6 | TS-Schienenräumer, Trafwanne Part set rail guard, transformer tub | | 141140 | 12 |
| 7 | TS-Sandkasten, Antenne Part set sand box, antenna | | 141144 | 7 |
| 8 | TS-Drehgestellblende Part set bogie | | 142024 | 15 |
| 9 | TS-Kinematik und Deichsel Part set kinematics and drawbar | | 141136 | 8 |
| 10 | Getriebeboden Gear bottom | | 147620 | 7 |
| 11 | Kardanwelle Cardan shaft | | 108332 | 4 |
| 12 | Schneckendeckel Worm gear cover | | 122822 | 4 |
| 13 | Lager für Schneckenachse Bearing for worm gear axle | | 89749 | 6 |
| 14 | Grundrahmen Basic frame | | 141135 | 16 |
| 15 | Beilagscheibe Washer | | 86108 | 3 |
| 16 | TS-Blendensteckteile Set of cover plug-in parts | | 122956 | 5 |
| 17 | Kontakthalter mit Litzen Contact support with leads | | 137826 | 9 |
| 18 | Kurzkupplung-Vorentkupplung Short coupling- pre-uncoupling | | 115550 | 6 |
| 19 | Getriebebesatz 2-teilig Gear set 2-parts | | 147619 | 11 |
| 20 | Radsatz m.Zahnrad o.Haftring Wheelset w.gear wheel w/o traction tyre | | 141160 | 12 |
| 21 | Schnecken Zahnrad doppelt Z=16/17 Worm gear wheel double | | 86419 | 6 |
| 22 | Zahnrad Z=17 M=0,4 Gearwheel | | 86418 | 5 |
| 23 | Zahnrad Z=12 M=0,4 Gearwheel | | 94953 | 3 |
| 24 | Radsatz m.2 Haftringen m.Zahnrad Wheelset w.2 traction tyres w.gear wheel | | 141161 | 13 |
| 25 | TS- Antennen, Flansch Part set -Antenna, flange | | 146345 | 9 |
| 26 | GF-Schraube M2x6 mm Self-tapping screw | | 114828 | 3 |
| 27 | Pufferflansch links und rechts Vitrine Buffer flange left and right for showcase | | 141162 | 4 |
| 28 | GF-Schraube M1,6x4 mm Self-tapping screw | | 114850 | 3 |
| 29 | Schnecke Wormgear | | 86704 | 6 |
| 30 | Zurüstbeutel Bag of accessories | | 148989 | 29 |
| 31 | Pufferflansch links / rechts Buffer flange left and right | | 136487 | 5 |
| AC-Wechselstrom | | | | |
| 32 | Getriebeboden AC Gear bottom AC | | 130040 | 8 |
| 33 | Radsatz o.Haftring o.Zahnrad AC Wheelset w/o traction tyre w/o gear wheel AC | | 141242 | 11 |
| 34 | Schraube M1,5x5 mm Screw | | 108137 | 3 |
| 35 | Radsatz m.2 Haftringen m.Zahnrad AC Wheelset w.2 traction tyres w.gear wheel AC | | 141168 | 13 |
| 36 | Schleifer 42 mm Center pick-up | | 86030 | 14 |
| 37 | Radsatz m.Zahnrad o.Haftring AC Wheelset w.gear wheel w/o traction tyre AC | | 141167 | 12 |

Ersatzteile erhalten Sie direkt unter www.roco.cc, bei Ihrem Fachhändler.
Spare parts can be ordered directly at www.roco.cc and from your local dealer.