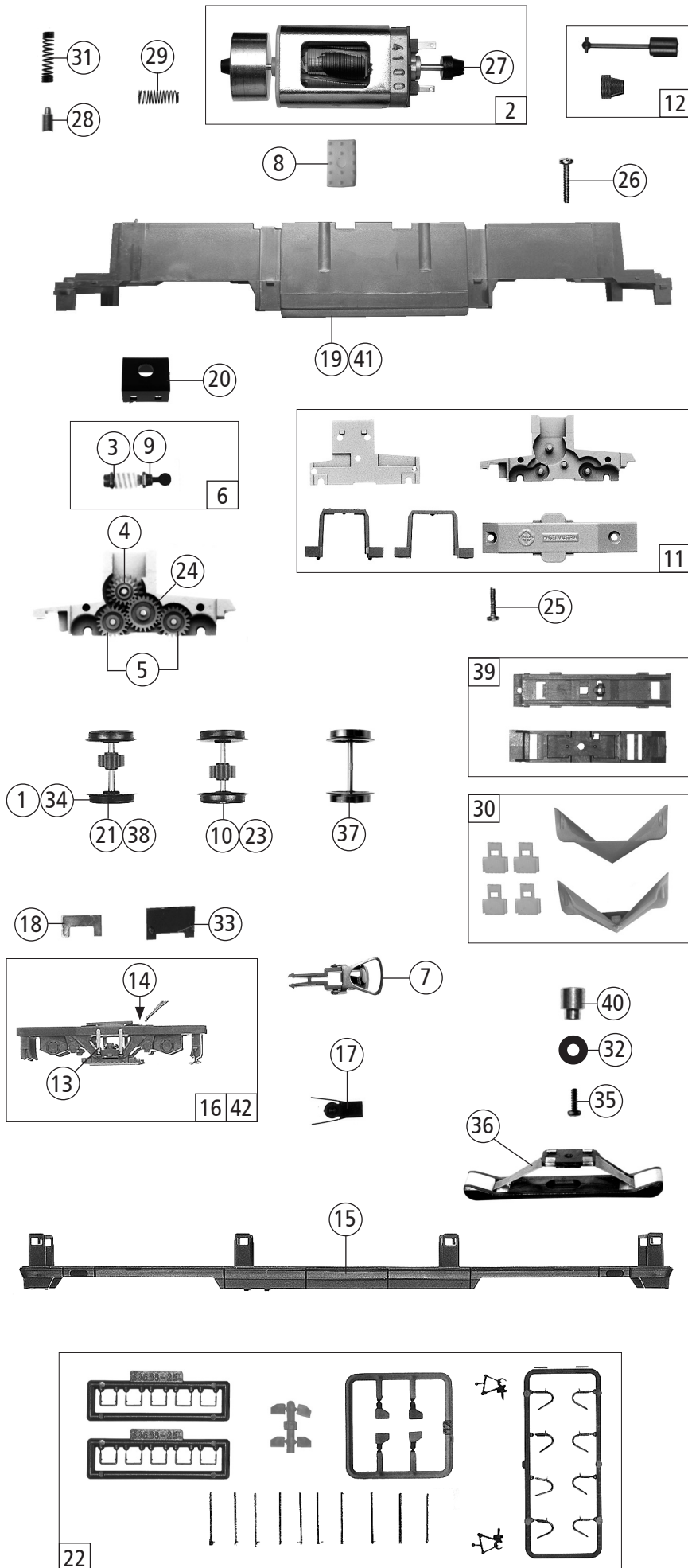


| Pos. Nr. Pos.no. | Beschreibung Description | Art.-Nr. Art.no. | Preisgruppe Price bracket |
|---------------------|-------------------------------------------------------------------------------------------|---------------------|------------------------------|
| 73413 | NSB EL 18 | = | |
| 73414 | | = | 🔊 |
| 79414 | | ~ | 🔊 |
| 1 | Einholmstromabnehmer Pantograph | 85326 | 18 |
| 2 | GF-Schraube M2x5 GF-Screw M2x5 | 114966 | 3 |
| 3 | Platine kpl. m. LED-Platine Printed circuit ass. | 138482 | 28 |
| 4 | Zurüstbeutel Schleiferstück Bag with accessories | 95961 | 9 |
| 5 | LED-Platine LED printed circuit | 134404 | 15 |
| 6 | Dachboden Roof ground | 138495 | 6 |
| 7 | Dachdeckel Roof cover | 138501 | 5 |
| 8 | TS-Scheinwerfer und Lichtleiter Part set light transmission bar | 126670 | 10 |
| 9 | Isolatorsatz Insulator set | 100076 | 8 |
| 10 | Führerstand Drivers cab | 138496 | 6 |
| 11 | Lichtabdeckung Light cover | 100079 | 3 |
| 12 | Spitzenlichthülse Top light sleeve | 100081 | 3 |
| 13 | Funkantenne Radio antenna | 100082 | 3 |
| 14 | Trittblech Running board | 138497 | 3 |
| 15 | Puffer links Buffer left | 138480 | 3 |
| 16 | Puffer rechts Buffer right | 138488 | 3 |
| 17 | Brückenstecker Connector | 133241 | 10 |
| 18 | Lichtschutz Light protection | 101812 | 6 |
| 19 | TS-Fenster Part set window | 128227 | 9 |
| 20 | Schraube M1,6x5 Screw M1,6x5 | 110008 | 3 |
| 21 | Lokführer Loco driver | 110407 | 6 |
| 22 | Gehäuse kpl. Betr.Nr. 18 2247 Body ass. no. 18 2247 | 138494 | 33 |
| 23 | TS-Lichtabdeckungen Part set light cover | 126664 | 6 |
| Sound | | | |
| 24 | Sound-Steckdecoder Sound plug decoder | 129000 | 39 |
| 25 | Lautsprecher Loudspeaker | 129524 | 16 |
| 26 | Lautsprecherbox eckig Loudspeaker box angular | 135926 | 4 |
| 27 | Platine kpl. mit LED-Platine + 2xLsp. Printed circuit with LED print. circuit + 2xlsp. | 138499 | 32 |

Änderungen in Konstruktion und Ausführung vorbehalten
We reserve the right to change the construction and specification



| Pos. Nr. Pos.no. | Beschreibung Description | Art.-Nr. Art.no. | Preisgruppe Price bracket |
|--------------------------|-----------------------------------------------------------------------------------|---------------------|------------------------------|
| 73413 | NSB EL 18 | = | |
| 73414 | | = | 🔊 |
| 79414 | | ~ | 🔊 |
| 1 | Haftreifensatz 10Stk. 12,5-13,8mm Set with traction tires 10pieces 12,5-13,8mm | 40066 | --- |
| 2 | Motor Motor | 85086 | 28 |
| 3 | Beilagscheibe Spacer | 86108 | 3 |
| 4 | Schneckenzahnrad Worm gear | 86413 | 5 |
| 5 | Zahnrad Z=21 G/M=0,4 Gear Z=21 G/M=0,4 | 86414 | 3 |
| 6 | Schenckensatz Worm set | 86877 | 13 |
| 7 | Standardkupplung Standard coupling | 89246 | 6 |
| 8 | Gummibettung Rubber bulge | 89728 | 4 |
| 9 | Schneckenachslager Bearing for worm axle | 89749 | 6 |
| 10 | Radsatz m. Zahnrad o. Haftring Wheelset w.gear without traction tyre | 90678 | 11 |
| 11 | Getriebesatz 5-teilig Gear set | 138493 | 14 |
| 12 | Gelenkwelle u. Kardanschale Cardan shaft a. cardan bearing | 100075 | 8 |
| 13 | Stoßdämpfer Shock absorber | 138492 | 5 |
| 14 | Radkontakt Wheel contact | 100090 | 6 |
| 15 | Gehäuseunterteil Body lower part | 138479 | 10 |
| 16 | Blende kpl. Bogie frame ass. | 138483 | 15 |
| 17 | Kupplungskammer Coupling chamber | 122648 | 4 |
| 18 | Kontakthalter Contact holder | 115132 | 3 |
| 19 | Grundrahmen Base frame | 126660 | 16 |
| 20 | Schneckenkammerdeckel Worm cover | 107095 | 5 |
| 21 | Radsatz m. Haftreifen m. Zahnrad Wheelset w. traction tyre w. gear | 107408 | 12 |
| 22 | Zurüstbeutel Bag with accessories | 138498 | 13 |
| 23 | Radsatz m. Zahnrad o. Haftreifen Wheelset w. gear without traction tyre | 107593 | 11 |
| 24 | Zahnrad Z=23 G/M=0,4 Gear Z=23 G/M=0,4 | 111679 | 3 |
| 25 | GF-Schraube M2x8 GF-Screw M2x8 | 114923 | 3 |
| 26 | GF-Schraube M2x12 GF-Screw M2x12 | 114944 | 3 |
| 27 | Kardanschale kurz 1,5 mm Kardan shell short 1,5mm | 87129 | 4 |
| 28 | Kohlebürste Carbon brush | 89743 | 6 |
| 29 | Bürstenfeder Brush spring | 114197 | 3 |
| 30 | TS - Schneepflug Part set - snowplough | 138481 | 8 |
| 31 | Motorkontaktfeder Motor contact spring | 116812 | 3 |
| AC - Wechselstrom | | | |
| 32 | Scheibe Washer | 112681 | 3 |
| 33 | Kontakthalter Contact holder | 123583 | 3 |
| 34 | Haftringsatz 10Stk. 10,3-12,4mm Set with traction tires 10pieces 10,3-12,4 | 40074 | --- |
| 35 | Schraube M1,6x4 Screw M1,6x4 | 85727 | 3 |
| 36 | Schleifer Slider | 86031 | 14 |
| 37 | Radsatz o. Haftring o. Zahnrad Wheelset without gear without traction tyre | 90698 | 10 |
| 38 | Radsatz m. Haftreifen m. Zahnrad Wheelset w. traction tyre w. gear | 90699 | 11 |
| 39 | TS - Drehgestell AC Part set - Gear AC | 138502 | 40 |
| 40 | Anschlußnippel Connection fitting | 111116 | 4 |
| 41 | Grundrahmen Base frame | 126671 | 16 |
| 42 | Blende AC Bogie AC | 138500 | 15 |

Ersatzteile erhalten Sie direkt unter www.roco.cc, bei Ihrem Fachhändler oder Ihrer Landesvertretung.
Spare parts can be ordered directly at www.roco.cc and from your local dealer or country representative.